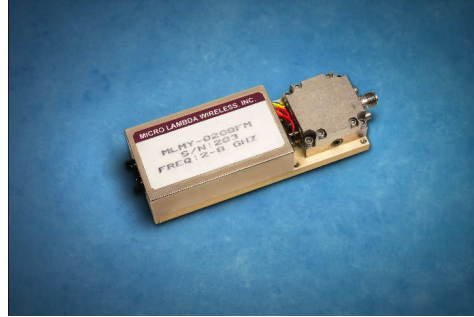




FEATURES

- MLPM, MLPW & MLPF Series PM YTO's
- ± 10 Volt Tuning Resolution
- High Speed FM Sweep
- Phase Locking Port



DESCRIPTION

All Micro Lambda Permanent Magnet Oscillators are available with integrated voltage controlled FM coil driver circuits. These drivers eliminate the need for customers to design or develop their own driver circuits and sophisticated test and alignment procedures.

These FM drivers are the perfect complement to Micro Lambda's series of digital or analog main coil drivers. They also make phase locking simplistic when incorporated with PLL circuitry.

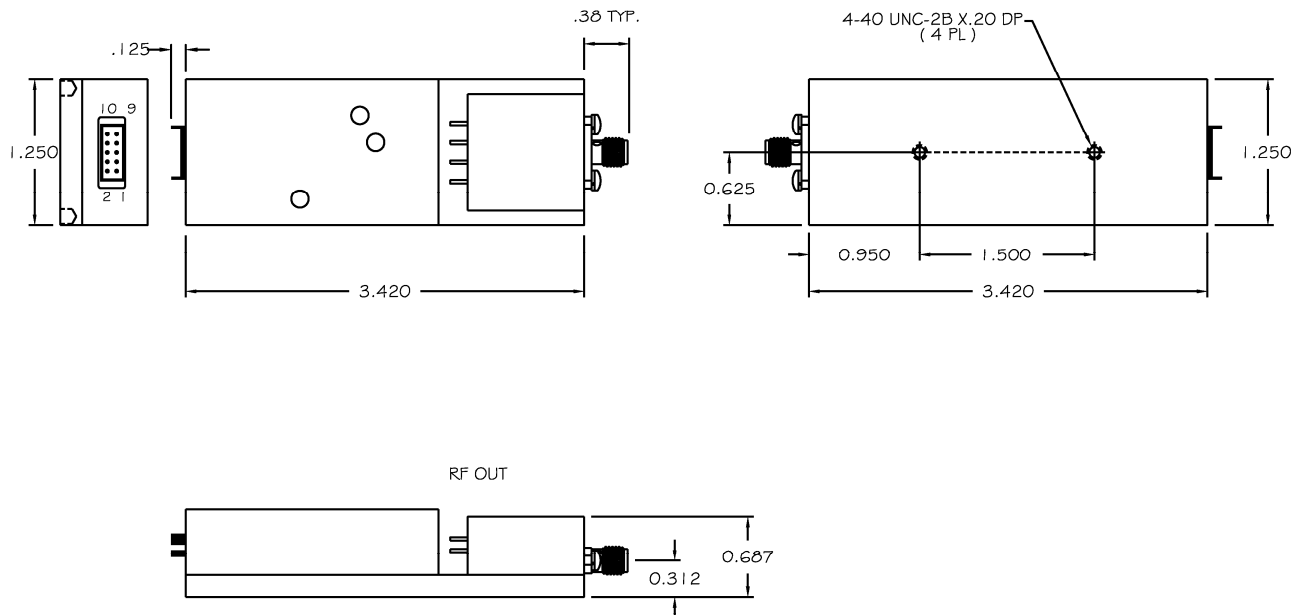
DRIVER INPUT & RESPONSE	SPECIFICATION	(0 to + 65 deg. °C)
Driver Inputs		
Supply Voltage & Current (Note 1)		
+12 to +15 Vdc	Oscillator Current and +100 mA typ. at full positive FM deviation	
-12 to -15 Vdc	Oscillator Current and -100 mA typ. at full negative FM deviation	
Supply Voltage Pushing	± 100 KHz Max. @ $\pm .5$ Vdc	
Supply Voltage Ripple	10 mV Ripple Pk-Pk from 2 kHz to 3 MHz	
Ground	Chassis Ground	
Heater Voltage (If required)	300 mA Surge, 25 to 50 mA Steady State depending on Input Voltage	
+15 to +28 Vdc		
FM Tuning Voltage (Note 4)	± 10 V	
FM Coil Bandwidth	Per Oscillator Device Type	
FM Sweep Speed (Note 2)	10 uSec up, 1 uSec Retrace, Triangle Waveform for ± 25 MHz deviation, <1% Linearity	
Input Impedance	1 k-Ohms	
Sensitivity (Note 3)	± 2.5 MHz/V	
Frequency Deviation (Note 3)	± 25 MHz	
Outline Drawing	61-099 or 61-100	

Note 1. Input voltage depends on Oscillator type.

2. Sweep Speed adjustable for particular applications - contact factory.

3. Voltage sensitivity and frequency deviation adjustment available, sensitivity stated is average over frequency range.

4. Special Tuning Voltages available - contact factory.



WEIGHT: 4 Oz

J1 CONNECTION (INPUT)

DIGIKEY PART # : H2145-ND(2MM, DUAL ROW)

MATING WITH # : H2031-ND

PIN	FUNCTIONS
1	FM V ±10V
2	FM GROUND
3	SEE NOTE 2
4	SEE NOTE 2
5	RESERVED
6	+ HTR or N/C
7	- HTR or N/C
8	+ SUPPLY
9	GROUND
10	- SUPPLY

NOTES:

- 1- RECOMMENDED WIRE SIZE = 22-24 GAUGE
- 2- DO NOT CONNECT TO J1 PIN 3 & PIN 4, DAMAGE MAY RESULT

UNLESS OTHERWISE SPECIFIED DIMENSIONS ARE IN INCHES
TOLERANCE ARE :
FRACTIONS DECIMALS ANGLES
± .xx ±.020
 .xxx ±.010

CONTRACT NO.



MICRO LAMBDA WIRELESS, INC.

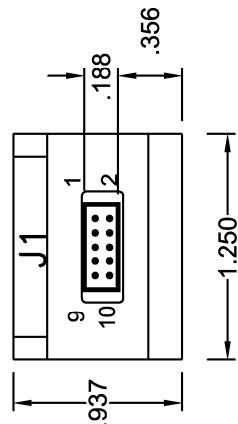
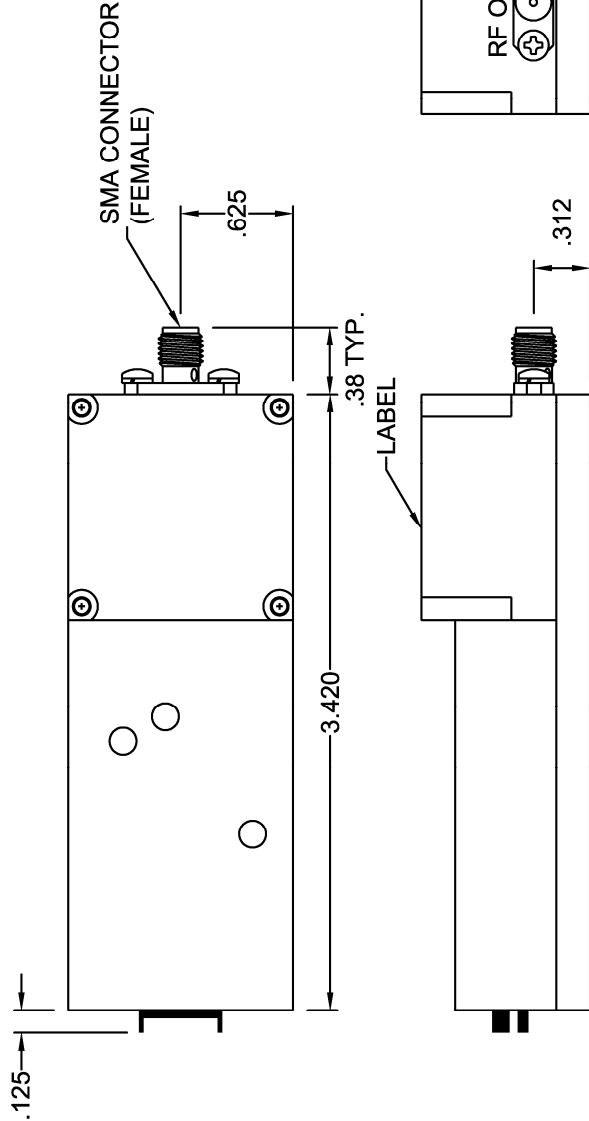
APPROVALS DATE
DRAWN N.NGUYEN 5/22/07

CHECKED
ISSUED

PMO WITH 1" FM DRIVER W/COVER

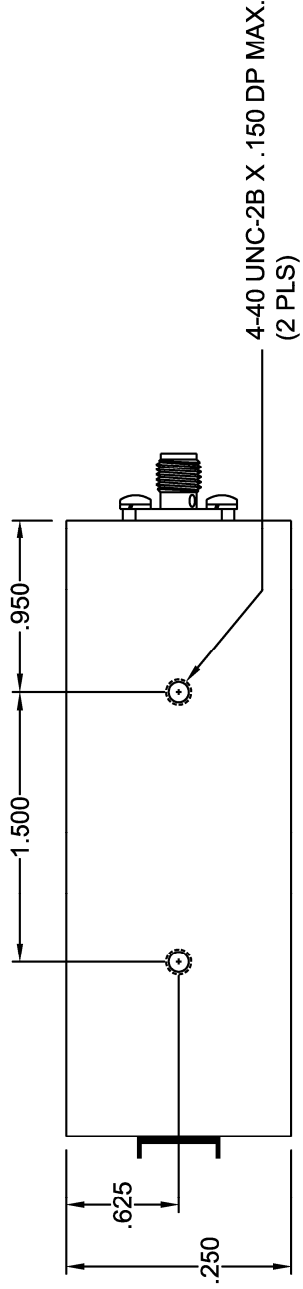
SIZE CAGE No DWG. NO. REV.
 ORN63 61 - 099 A

DO NOT SCALE DRAWING



J1 CONNECTION (INPUT)
DIGIKEY PART # : H2145-ND
(2MM, DUAL ROW)
MATING WITH # : H2031-ND

PIN	FUNCTIONS
1	FM V ±10V
2	FM GROUND
3	SEE NOTE 2
4	SEE NOTE 2
5	RESERVED
6	+ HTR or N/C
7	- HTR or N/C
8	+ SUPPLY
9	GROUND
10	- SUPPLY



WEIGHT: 5 Oz.

- NOTES:**
- 1- RECOMMENDED WIRE SIZE = 22-24 GAUGE
 - 2- DO NOT CONNECT TO J1 PIN 3 & PIN 4,
DAMAGE MAY RESULT

REV	DESCRIPTION	DATE	APPROVED

UNLESS OTHERWISE SPECIFIED DIMENSIONS ARE IN INCHES. TOLERANCES ARE: FRACTIONS DECIMALS ANGLES ± .005 ± .010 .001 ± .010		CONTRACT NO.	
MATERIAL	APPROVALS	DATE	MICRO LAMBDA WIRELESS, INC.
FINISH	CHECKED	5/22/07	
DRAWN: N. NGUYEN		ISSUED	1.25" PMO W/FM DRIVER
CHECKED		SCALE	
CAGE NO. 0RN63		SIZE	REV. A
DWN. NO. 61-100		SCALE	SHEET