



FEATURES

- 350 MHz to 20 GHz Frequency Coverage
- Excellent Linearity
- Superior Notch Depth



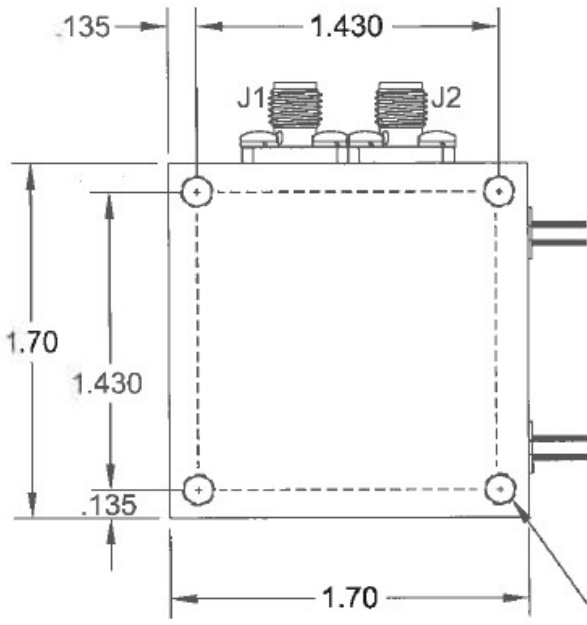
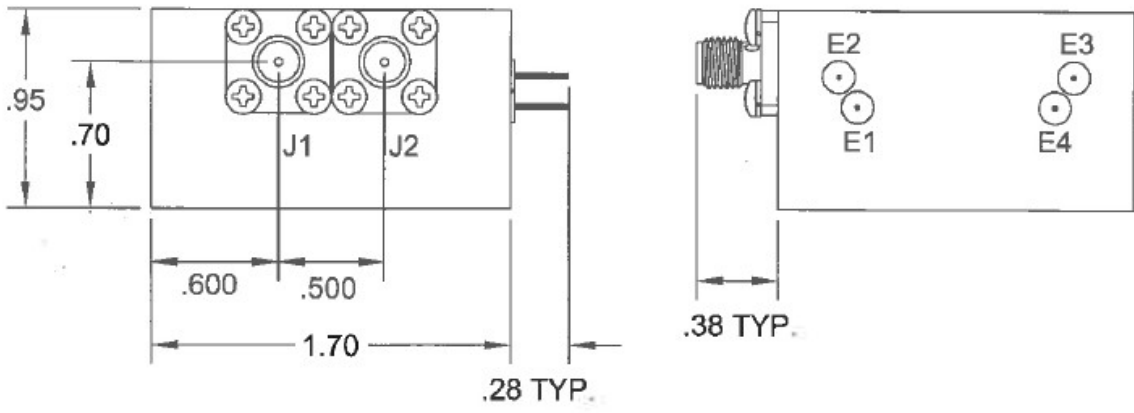
DESCRIPTION

The MICRO LAMBDA MLUN-Series of Band Reject filters cover the frequency range of 350 MHz to 20 GHz in different bands. These filters offer excellent notch depth and precise bandwidths for rejection of unwanted signals. 3 dB bandwidths are 50 to 175 MHz with 60 dB bandwidths of 5 to 10 MHz in standard designs. These filters are well suited for broadband receivers and a variety of EW system applications. Standard configuration are provided and can also be ordered with an Analog, TTL Digital or Serial Driver.

ELECTRICAL AND PERFORMANCE SPECIFICATIONS

Guaranteed Specifications at -0° to +65° C Case Temperature

Model No.	MLUN-0305	MLUN-0502	MLUN-0206	MLUN-0618	MLUN-0218	MLUN-0220
Frequency Range, Min.	0.35-0.52 GHz	0.5-2 GHz	2-6 GHz	6-18 GHz	2-18 GHz	2-20 GHz
Reject Bandwidth						
@ 30 dB, Min.	4 MHz					
@ 40 dB, Min.		5 MHz	23 MHz	40 MHz	10 MHz	10 MHz
@ 50 dB, Min.		2 MHz	20 MHz	37 MHz	8 MHz	8 MHz
@ 60 dB, Min.			17 MHz	35 MHz	5 MHz	5 MHz
@ 3 dB, Max.	50 MHz	80 MHz	120 MHz	175 MHz	175 MHz	175 MHz
Passband VSWR, Max.	2:1	2:1	2:1	2:1	2:1	2.5:1
Passband Insertion Loss, Max.	2.0 dB	2.0 dB	2.0 dB	2.5 dB	2.5 dB	2.5 dB
Passband Range	DC-2 GHz	DC-3 GHz	DC-6.2 GHz	DC-18.2 GHz	DC-18.2 GHz	DC-20 GHz
Spurious, Max	4 dB	4 dB	4 dB	4 dB	4 dB	4 dB
Limiting Level, Min.	0 dBm	+5 dBm	+10 dBm	+10 dBm	+10 dBm	+10 dBm
Max. Input Power, No Damage.	+28 dBm	+28 dBm	+28 dBm	+28 dBm	+28 dBm	+28 dBm
Tuning Coil Characteristics						
Tuning Sensitivity, Typ.	13 MHz/mA	13 MHz/mA	18 MHz/mA	20 MHz/mA	20 MHz/mA	20 MHz/mA
Linearity, Max.	+/- 2 MHz	+/- 2 MHz	+/- 3 MHz	+/- 4 MHz	+/- 6 MHz	+/- 6 MHz
Hysteresis, Typ.	2 MHz	2 MHz	4 MHz	12 MHz	15 MHz	15 MHz
Temperature Drift (0 to 60 deg. C), Max.	8 MHz	6 MHz	8 MHz	10 MHz	12 MHz	12 MHz
Coil Resistance, Typ.	16 Ohms	16 Ohms	13 Ohms	6 Ohms	6 Ohms	6 Ohms
Coil Inductance, Typ.	120 mH	120 mH	120 mH	140 mH	140 mH	140 mH
Heater Voltage	+28 Vdc	+28 Vdc	+28 Vdc	+28 Vdc	+28 Vdc	+28 Vdc
Heater Current-Surge, Max.@ 25 deg. C.	1000 mA	1000 mA	1000 mA	1000 mA	1000 mA	300 mA
Steady State@ 25 deg. C.	150 mA	150 mA	150 mA	150 mA	150 mA	100 mA
Case Style	99-0021-141	99-0021-141	99-0021-141	99-0021-145	99-0021-145	99-0021-145



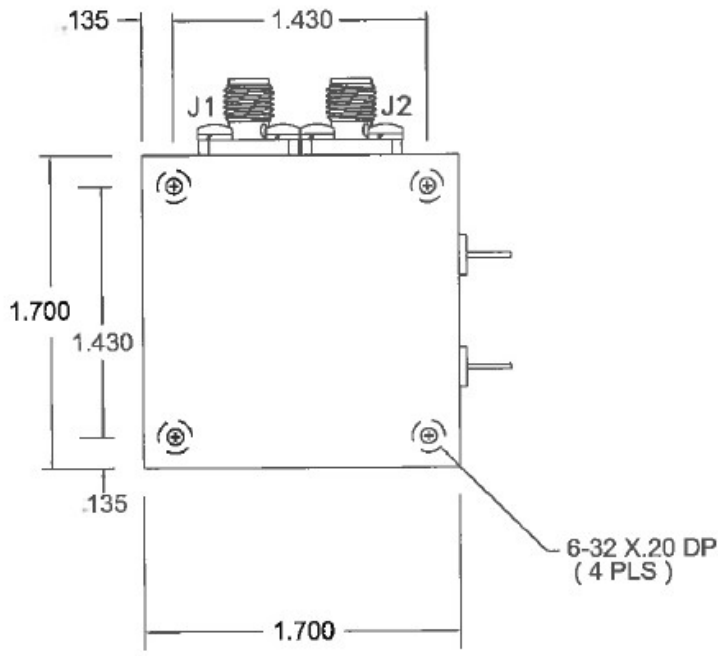
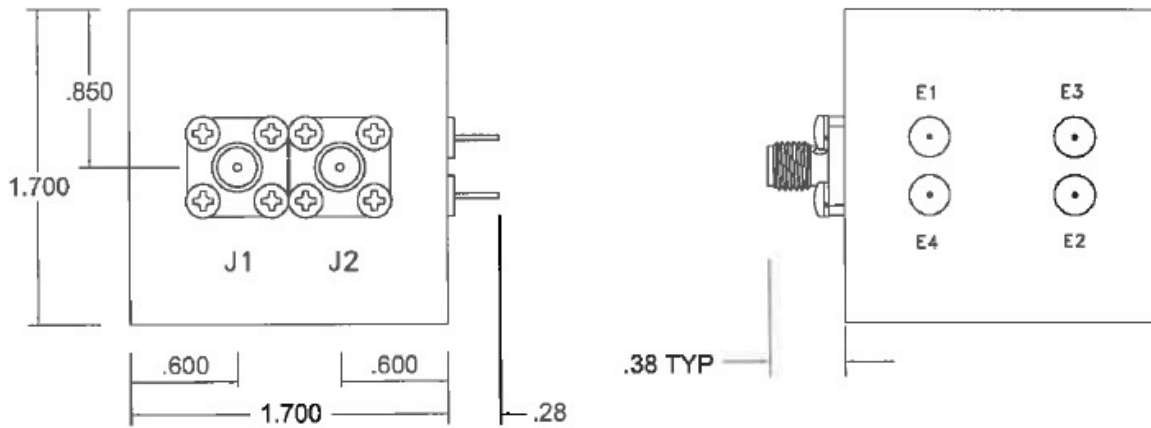
CONN	FUNCTIONS
J1	RF IN
J2	RF OUT
E1	+ COIL
E4	- COIL
E2	HEATER
E3	HEATER

* POSITION OF E1 & E2
SELECTED AT FACTORY FOR
COIL POLARITY

6-32 x.20 DP
(4 PLS)

WEIGHT : 10 Oz. MAX

UNLESS OTHERWISE SPECIFIED DIMENSIONS ARE IN INCHES TOLERANCES ARE: FRACTIONS DECIMALS ANGLES * .XX .001 * .XXX .010	CONTRACT NO.		 MICRO LAMBDA WIRELESS, INC.
	APPROVALS DRAWN N. NGUYEN CHECKED ISSUED	DATE 1/28/16 01/28/16	
MATERIAL	FINISH	SIZE CAGE No DWG. NO. REV. ORN63 99 - 0021 - 141	
DO NOT SCALE DRAWING			



CONN	FUNCTIONS
J1	RF IN
J2	RF OUT
E1	+ COIL
E2	- COIL
E3	HEATER
E4	HEATER

* POSITION OF E1 & E2
SELECTED AT FACTORY FOR
COIL POLARITY

WEIGHT : 16 Oz. MAX

UNLESS OTHERWISE SPECIFIED DIMENSIONS ARE IN INCHES TOLERANCE ARE FRACTIONS DECIMALS ANGLES

MATERIAL CARPENTER 48

FINISH

CONTRACT NO.

APPROVALS N. NGUYEN DATE 4/26/16

CHECKED [Signature] 4/16/16



MICRO LAMBDA WIRELESS, INC.

ULTRA NOTCH FILTER (1.7")

SIZE

CAGE No ORN63

DWG. NO.

99 - 0021 - 145

REV

A

DO NOT SCALE DRAWING