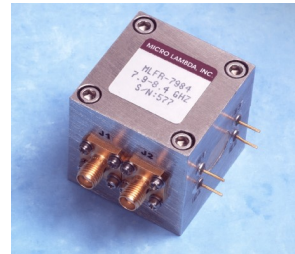


FEATURES

- 6-12 GHz Frequency Coverage
- Excellent Linearity
- 1.4" Cube Package
- Up to 16 Stages



DESCRIPTION

The MICRO LAMBDA Ultra Notch Series of Band Reject filters cover the frequency range of 6-12 GHz. These filters offer very deep notch depth and precise bandwidths for rejection of unwanted signals. Standard frequency bands of 5.9-6.4 GHz, 7.9-8.4 GHz and 8.9-9.6 GHz are provided. 3 dB bandwidths of 300 MHz with 70 dB bandwidths of 70 MHz are available in standard designs.

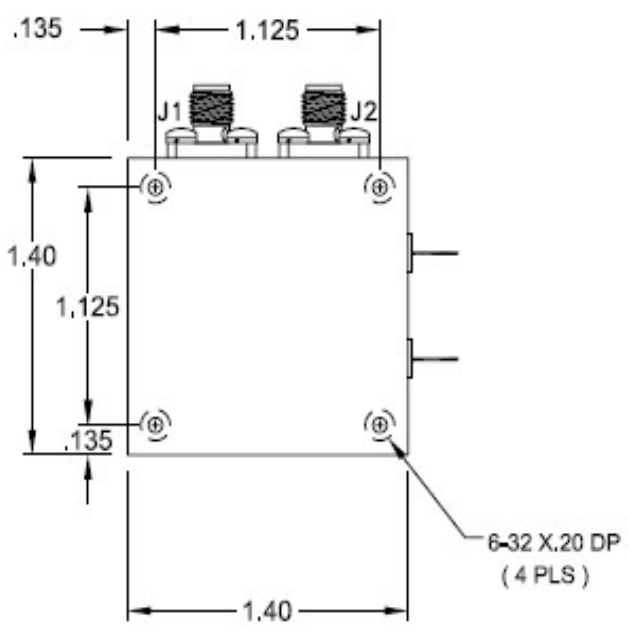
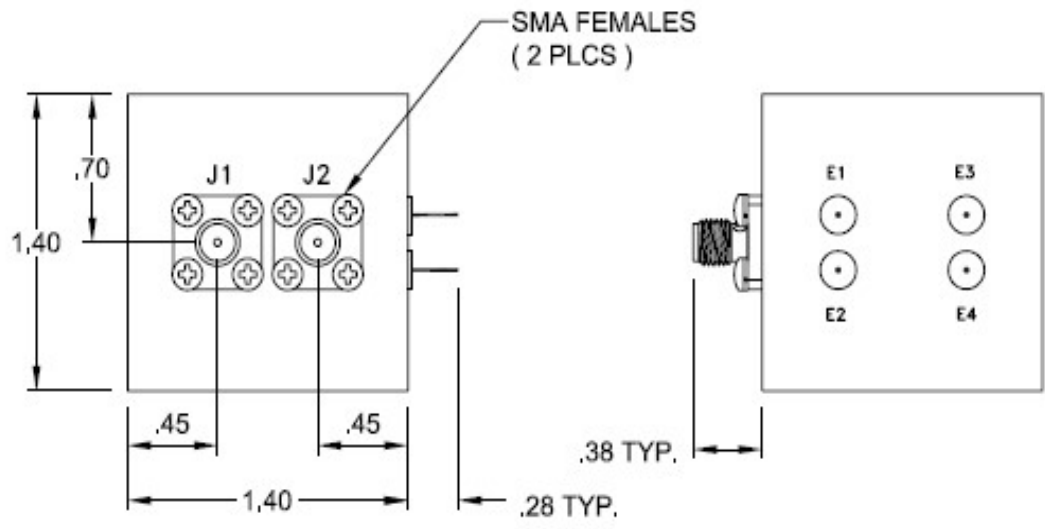
These filters are well suited for broadband receivers and a variety of EW system applications. Standard configuration of 1.4" cubes are provided and can also be ordered with an Analog or Digital Driver.

ELECTRICAL AND PERFORMANCE SPECIFICATIONS

Guaranteed Specifications at -0° to $+65^{\circ}$ C Case Temperature

Model No.	MLFR-5964	MLFR-7984	MLFR-8996
Frequency Range, Min.	5.9-6.4 GHz	7.9-8.4 GHz	8.9-9.6 GHz
Reject Bandwidth			
@ 70 dB, Min.	70 MHz	70 MHz	70 MHz
@ 3 dB, Max.	180 MHz	180 MHz	180 MHz
Passband VSWR, Max.	2:1	2:1	2:1
Passband Insertion Loss, Max.	1.5 dB	1.5 dB	1.5 dB
Passband Range	DC-12 GHz	DC-12 GHz	DC-12 GHz
Spurious, Max	4 dB	4 dB	4 dB
Limiting Level, Min.	+13 dBm	+13 dBm	+13 dBm
Max. Input Power, No Damage.	+30 dBm	+30 dBm	+30 dBm
Tuning Coil Characteristics			
Tuning Sensitivity, Typ.	20 MHz/mA	20 MHz/mA	20 MHz/mA
Linearity, Max.	+/- 1 MHz	+/- 1 MHz	+/- 1 MHz
Hysteresis, Typ.	1 MHz	1 MHz	1 MHz
Temperature Drift (0 to 60 deg. C), Max.	15 MHz	15 MHz	15 MHz
Coil Resistance, Typ.	7 Ohms	7 Ohms	6 Ohms
Coil Inductance, Typ.	70 mH	70 mH	60 mH
Heater Voltage	+28 Vdc	+28 Vdc	+28 Vdc
Heater Current-Surge, Max. @ 25 deg. C.	300 mA	300 mA	300 mA
Steady State @ 25 deg. C.	100 mA	100 mA	100 mA
Case Style (Note 1)	21-018	21-018	21-018

Note: 1.) 1.7" Case available.



CONN	FUNCTIONS
J1	RF IN
J2	RF OUT
E1	+ COIL
E2	+ HEATER
E3	- HEATER
E4	- COIL

* POSITION OF E1 & E4
SELECTED AT FACTORY
FOR COIL POLARITY

WEIGHT : 13 Oz. MAX

<small>UNLESS OTHERWISE SPECIFIED DIMENSIONS ARE IN INCHES AND DECIMALS THEREAFTER.</small> <small>PRACTICES DECIMALS ANGLES</small> <small>▲ J1 .400</small> <small>▲ J2 .400</small>	<small>CONTRACT NO.</small> <small>APPROVALS</small> <small>DATE</small>		 MICRO LAMBDA WIRELESS, INC.
	<small>DRAWN</small> N. NGUYEN <small>10/21/05</small> <small>CHECKED</small> <small>ISSUED</small>	BAND REJECT FILTER (1.4")	
<small>DO NOT SCALE DRAWING</small>	<small>SER.</small>	<small>DATE</small> ORN63	<small>DWG. NO.</small> 21-018 <small>REV.</small> C