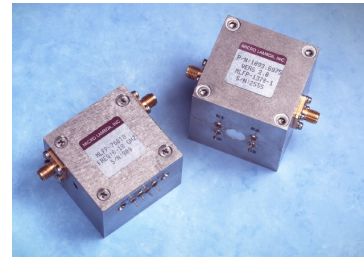


FEATURES

- 500 MHz - 26.5 GHz Frequency Coverage
- 2-26.5 GHz Broadband Tuning
- Low Cost and High Reliability
- Industry Standard 1.7 Inch Package



DESCRIPTION

The MICRO LAMBDA MLFP Series line of 6-stage YIG tuned bandpass filters cover octave and multioctave frequency bands from .5 to 26.5 GHz. Standard bands such as 0.5 to 2 GHz, 2 to 18 GHz, 2 to 26.5 GHz, 6 to 18 GHz and 8 to 18 GHz for both the commercial and military user.

Standard YIG tuned filters are specified to operate from 0 to +65°C. However, all Micro Lambda YIG tuned filters can be furnished to military specifications such as MIL-E-5400 and MIL-E-16400 with operating temperature range of -54°C to +85°C.

All filters can be furnished stand alone or with integrated drivers.

ELECTRICAL AND PERFORMANCE SPECIFICATIONS

Guaranteed Specifications at -0° to +65° C Case Temperature (Note 2)

Model No.	MLFP-60520	MLFP-60540	MLFP-62008	MLFP-64008
Frequency Range, Min.	.5-2 GHz	.5-4 GHz	2-8 GHz	4-8 GHz
No. of Stages	6	6	6	6
3dB Bandwidth, Min. (Note 1)	20 MHz	20 MHz	40 MHz	50 MHz
Insertion Loss, Max.	10 dB	12 dB	6 dB	6 dB
Passband Spurs & Ripple, Max.	2.0 dB	2.0 dB	2.0 dB	2.0 dB
Passband VSWR, Max.	2:1	2:1	2:1	2:1
Selectivity, Typ.	36 dB/ Octave	36 dB/ Octave	36 dB/ Octave	36 dB/ Octave
Off Resonance Isolation, Min.	80 dB	80 dB	80 dB	80 dB
Off Resonance Spurious, Min.	60 dB	60 dB	60 dB	60 dB
Limiting Level, Min.	+0 dBm	+0 dBm	+10 dBm	+10 dBm
Tuning Coil Characteristics				
Tuning Sensitivity, Typ.	20 MHz/mA	20 MHz/mA	20 MHz/mA	20 MHz/mA
Linearity, Max.	+/- 3 MHz	+/- 5 MHz	+/- 5 MHz	+/- 5 MHz
Hysteresis, Typ.	3 MHz	5 MHz	6 MHz	5 MHz
Temperature Drift, Max.	10 MHz	15 MHz	15 MHz	10 MHz
Coil Resistance, Typ.	15 Ohms	15 Ohms	15 Ohms	15 Ohms
Coil Inductance, Typ.	70 mH	70 mH	70 mH	70 mH
Heater Voltage	20-30 Vdc	20-30 Vdc	20-30 Vdc	20-30 Vdc
Heater Current-				
Surge, Max. @ 25 deg. C.	500 mA	500 mA	500 mA	500 mA
Steady State @ 25 deg. C.	100 mA	100 mA	100 mA	100 mA
Case Style	21-017	21-017	21-017	21-017

Note: 1) Modified 3 dB Bandwidths available.

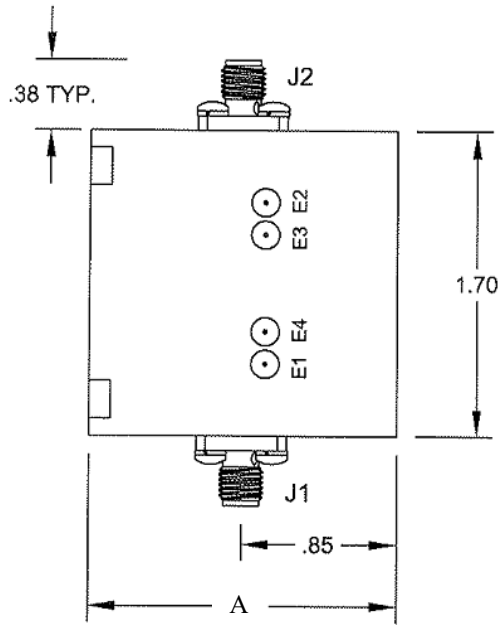
2) -54°C to +85° temperature available.

MLFP - SERIES Continued

Model No.	MLFP-62018	MLFP-62026	MLFP-66018	MLFP-68018
Frequency Range, Min.	2-18 GHz	2-26.5 GHz	6-18 GHz	8-18 GHz
No. of Stages	6	6	6	6
3dB Bandwidth, Min. (Note 1)	50 MHz	30 MHz	100 MHz	500 MHz
Insertion Loss, Max.	7 dB	7.5 dB	6 dB	7 dB
Passband Spurs & Ripple, Max.	2.0 dB	2.0 dB	2.0 dB	2.5 dB
Passband VSWR, Max.	2:1	2:1	2:1	2:1
Selectivity, Typ.	36 dB/ Octave	36 dB/ Octave	36 dB/ Octave	36 dB/ Octave
Off Resonance Isolation, Min.	100 dB	100 dB	100 dB	100 dB
Off Resonance Spurious, Min.	70 dB	60 dB	70 dB	60 dB
Limiting Level, Min.	+10 dBm	+10 dBm	+10 dBm	+10 dBm
Tuning Coil Characteristics				
Tuning Sensitivity, Typ.	20 MHz/mA	30 MHz/mA	20 MHz/mA	20 MHz/mA
Linearity, Max.	+/- 15 MHz	+/- 30 MHz	+/- 25 MHz	+/- 20 MHz
Hysteresis, Typ.	20 MHz	30 MHz	15 MHz	15 MHz
Temperature Drift, Max.	20 MHz	30 MHz	20 MHz	20 MHz
Coil Resistance, Typ.	5 Ohms	6 Ohms	5 Ohms	5 Ohms
Coil Inductance, Typ.	40 mH	60 mH	40 mH	40 mH
Heater Voltage	20-30 Vdc	20-30 Vdc	20-30 Vdc	20-30 Vdc
Heater Current-				
Surge, Max. @ 25 deg. C.	500 mA	500 mA	500 mA	500 mA
Steady State @ 25 deg. C.	100 mA	100 mA	100 mA	100 mA
Case Style	21-017	21-012-1	21-017	21-017

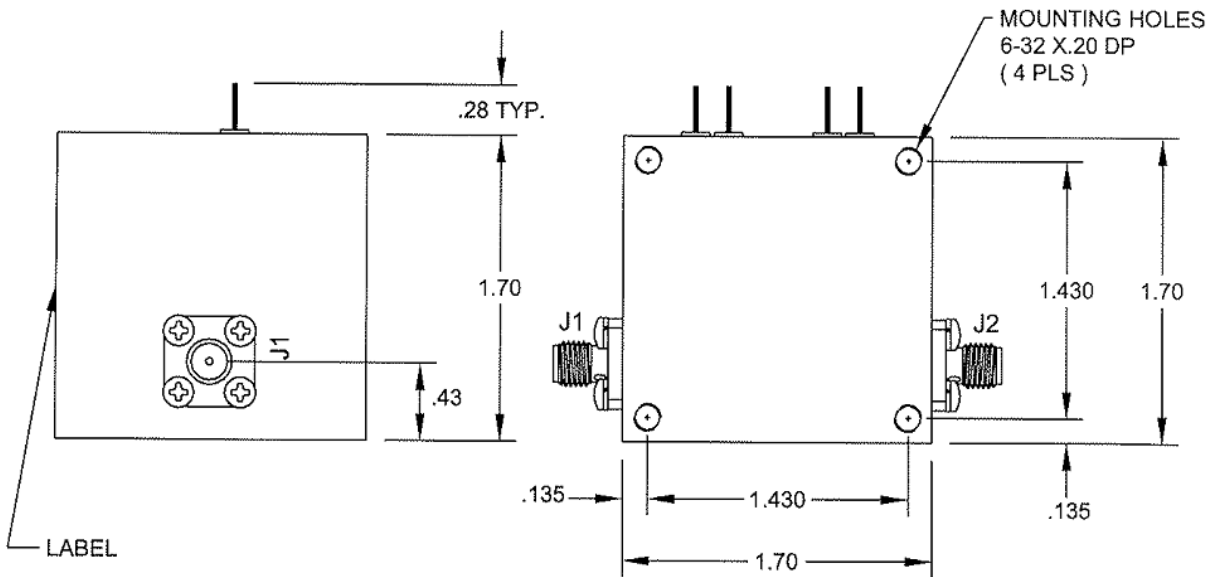
Note: 1) Modified 3 dB Bandwidths available.
 2) -54°C to +85° temperature available.

CASE DRAWING 21-017 / 21-012-1



CONN	FUNCTIONS
J1	RF IN
J2	RF OUT
E1	+ COIL
E2	- COIL
E3	HEATER
E4	HEATER

* POSITION OF E1 & E2
SELECTED AT FACTORY FOR
COIL POLARITY



CASE	A	WEIGHT
21-017	1.20	12 oz.
21-012-1	1.70	15 oz.