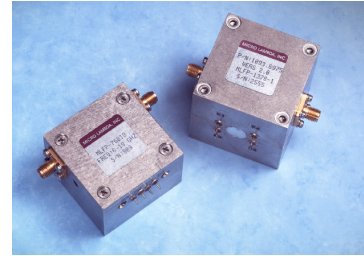


FEATURES

- 2-26.5 GHz Frequency Coverage
- 2-26.5 GHz Broadband Tuning
- Low Cost and High Reliability
- Industry Standard 1.7 Inch Package



DESCRIPTION

The MICRO LAMBDA MLFP Series line of 6-stage YIG tuned bandpass filters cover octave and multioctave frequency bands from .5 to 26.5 GHz. Standard bands such as 2 to 18 GHz, 2 to 26.5 GHz, 6 to 18 GHz and 8 to 18 GHz for both the commercial and military user.

Standard YIG tuned filters are specified to operate from 0 to +65°C. However, all Micro Lambda YIG tuned filters can be furnished to military specifications such as MIL-E-5400 and MIL-E-16400 with operating temperature range of -54°C to +85°C.

All filters can be furnished stand alone or with integrated drivers.

ELECTRICAL AND PERFORMANCE SPECIFICATIONS

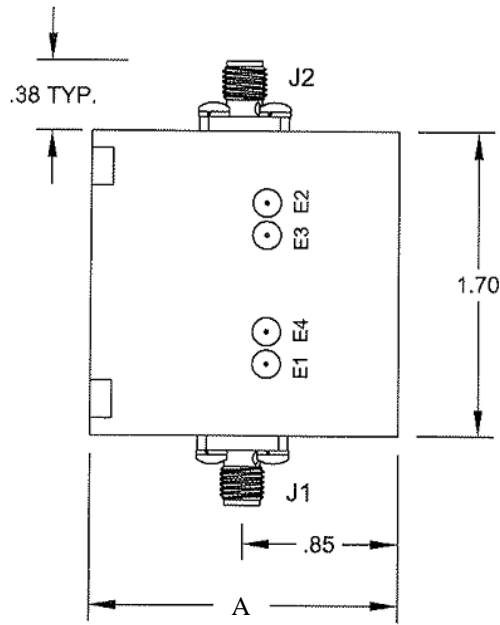
Guaranteed Specifications at -0° to +65° C Case Temperature (Note 2)

Model No.	MLFP-62018	MLFP-62026	MLFP-66018	MLFP-68018
Frequency Range, Min.	2-18 GHz	2-26.5 GHz	6-18 GHz	8-18 GHz
No. of Stages	6	6	6	6
3dB Bandwidth, Min. (Note 1)	50 MHz	30 MHz	100 MHz	500 MHz
Insertion Loss, Max.	7 dB	8 dB	6 dB	7 dB
Passband Spurs & Ripple, Max.	2.0 dB	2.0 dB	2.0 dB	2.5 dB
Passband VSWR, Max.	2:1	2:1	2:1	2:1
Selectivity, Typ.	36 dB/ Octave	36 dB/ Octave	36 dB/ Octave	36 dB/ Octave
Off Resonance Isolation, Min.	100 dB	100 dB	100 dB	100 dB
Off Resonance Spurious, Min.	70 dB	60 dB	70 dB	60 dB
Limiting Level, Min.	+10 dBm	+10 dBm	+10 dBm	+10 dBm
Tuning Coil Characteristics				
Tuning Sensitivity, Typ.	20 MHz/mA	20 MHz/mA	20 MHz/mA	20 MHz/mA
Linearity, Max.	+/- 15 MHz	+/- 50 MHz	+/- 25 MHz	+/- 20 MHz
Hysteresis, Typ.	20 MHz	30 MHz	15 MHz	15 MHz
Temperature Drift, Max.	20 MHz	30 MHz	20 MHz	20 MHz
Coil Resistance, Typ.	5 Ohms	8 Ohms	5 Ohms	5 Ohms
Coil Inductance, Typ.	40 mH	150 mH	40 mH	40 mH
Heater Voltage	20-30 Vdc	20-30 Vdc	20-30 Vdc	20-30 Vdc
Heater Current-Surge, Max. @ 25 deg. C.	300 mA	300 mA	300 mA	300 mA
Steady State @ 25 deg. C.	100 mA	100 mA	100 mA	100 mA
Case Style	21-017	21-012-1	21-017	21-017

Note: 1) Modified 3 dB Bandwidths Available.

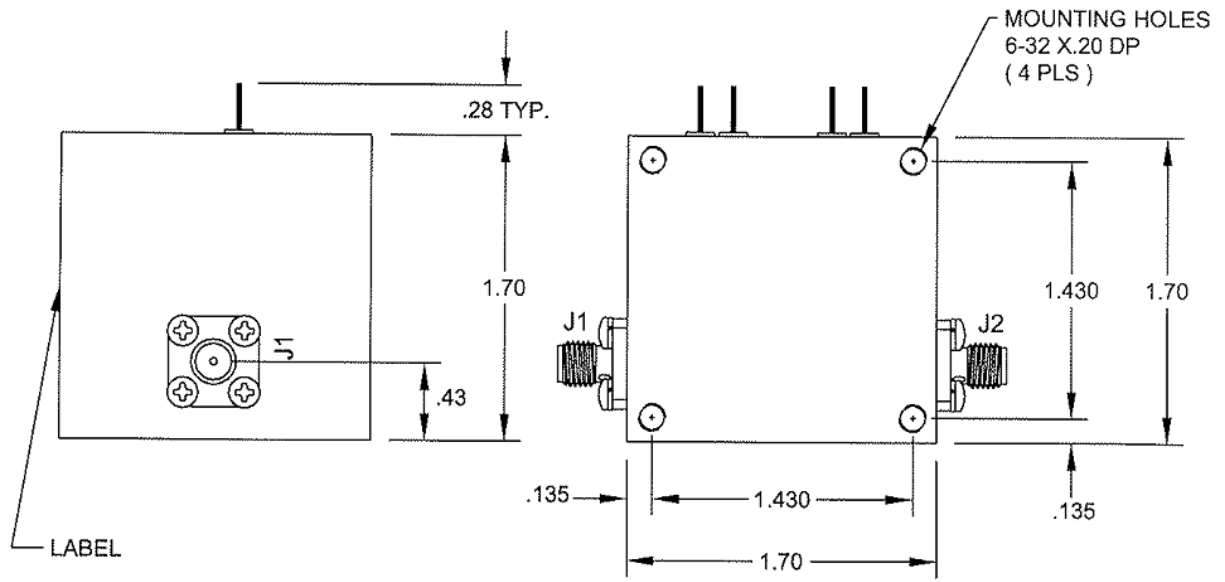
2) -54°C to +85° temperature available.

CASE DRAWING 21-017 / 21-012-1



CONN	FUNCTIONS
J1	RF IN
J2	RF OUT
E1	+ COIL
E2	- COIL
E3	HEATER
E4	HEATER

* POSITION OF E1 & E2
SELECTED AT FACTORY FOR
COIL POLARITY



CASE	A	WEIGHT
21-017	1.20	12 oz.
21-012-1	1.70	15 oz.