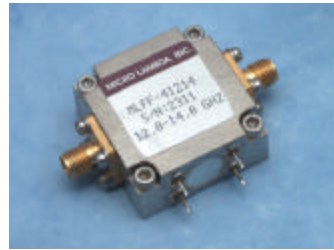




FEATURES

- 4-16 GHz Frequency Coverage
- 4 Stage Version
- Excellent Linearity
- No Heater Required
- Miniature Size



DESCRIPTION

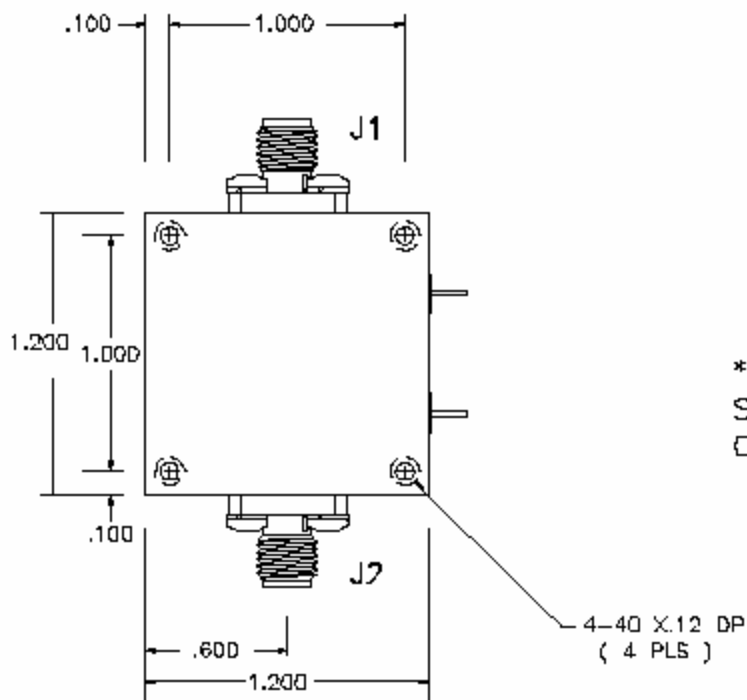
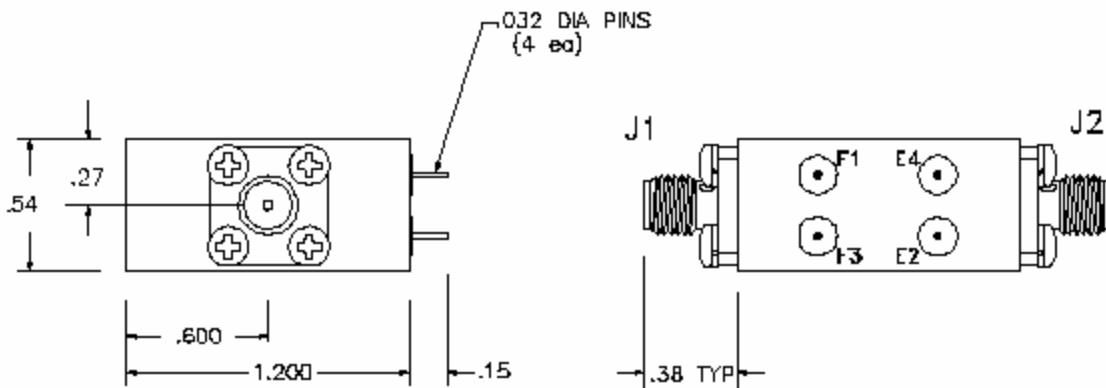
The MICRO LAMBDA MLFF-Series of Miniature YIG filters cover the frequency range of 4 GHz to 16 GHz and are available with 40 MHz minimum 3 dB bandwidths. They provide excellent linearity, low insertion loss and flat response over the frequency range. These filters offer the user the ability to reduce the size of current system designs as well as next generation system designs. This miniature line of filters are ideal for use in portable test sets, VXI base instruments, miniature receivers, and small microwave test equipment applications.

ELECTRICAL AND PERFORMANCE SPECIFICATIONS (Partial Listing)

Guaranteed Specifications at -0° to +65° C Case Temperature

Model No.	MLFF-41012	MLFF-41214
Frequency Range, Min.	10-12 GHz	12-14 GHz
Free-Run Frequency	11 GHz	13 GHz
No. of Stages	4	4
3dB Bandwidth, Min. (Note 1)	50 MHz	60 MHz
Insertion Loss, Max.	4 dB	4 dB
Passband Spurs & Ripple, Max.	2.0 dB	2.0 dB
Passband VSWR, Max.	2:1	2:1
Selectivity, Typ.	24 dB/ Octave	24 dB/ Octave
Off Resonance Isolation, Min.	80 dB	80 dB
Off Resonance Spurious, Min.	50 dB	50 dB
Limiting Level, Min.	0 dBm	+10 dBm
Tuning Coil Characteristics		
Tuning Sensitivity, Typ.	10 MHz/mA	10 MHz/mA
Linearity, Max.	+/- 3 MHz	+/- 4 MHz
Hysteresis, Typ.	3 MHz	3 MHz
Temperature Drift, Max.	15 MHz	15 MHz
Coil Resistance, Typ.	42 Ohms	42 Ohms
Coil Inductance, Typ.	22 mH	22 mH
Case Style	21-033-2	21-033-2


Note: 1. Modified 3 dB bandwidths available.



CONN	FUNCTIONS
J1	RF IN
J2	RF OUT
E1	+ COIL
E2	- COIL
E3	HTR OR N/C
E4	HTR OR N/C

* POSITION OF E1 & E2
SELECTED AT FACTORY FOR
COIL POLARITY

WEIGHT : 3 Oz. MAX

LAMBDA WIRELESS SPECIFIED DIMENSIONS AS SHOWN		CONTINGENT		 MICRO LAMBDA WIRELESS, INC.
PART NO. : QUANTITY : DATE :	DRAWN BY : CHECKED BY :	APPROVAL : DATE :	INCH : DECIMAL :	
MATERIAL : FINISH :		WORK BY : DATE :	1.2" FILTER (.54" HIGH; PM)	
DECIMAL SCALE DRAWING		ORDER NO. : ORN63	P/N : 21 - 033 - 2	REV. :