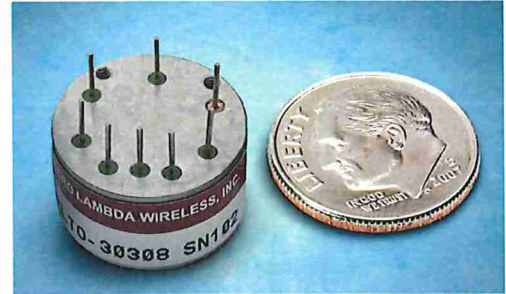




FEATURES

- 2-8 GHz Frequency Coverage
- FM/Phase-Lock Port
- TO-8 Package
- High Reliability



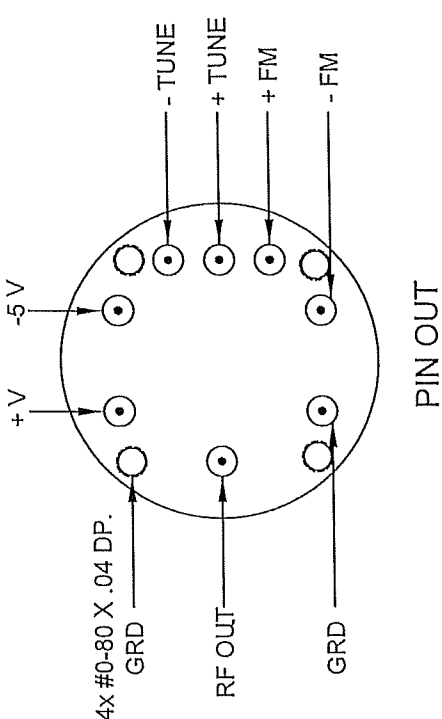
DESCRIPTION

The MICRO LAMBDA **MLTM**-Series Miniature YIG-Tuned Oscillators cover the frequency range of 2-8 GHz. They are available in customer selected tuning ranges and are fitted with a low power main coil, and FM coil for phase locking. All units operate from a +8 Volt and -5 Volt supply and operate over the 0° to + 65°C temperature range. Units do not require a heater.

ELECTRICAL AND PERFORMANCE SPECIFICATIONS

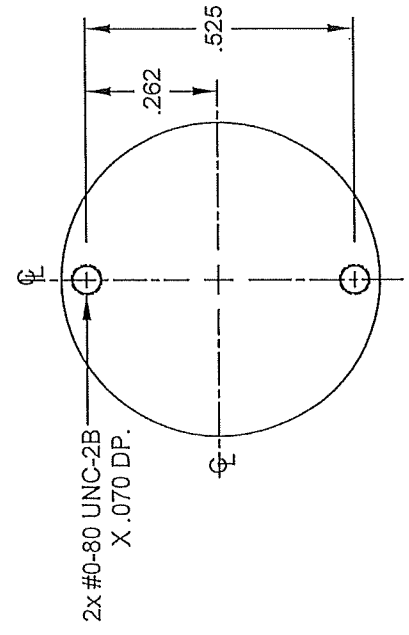
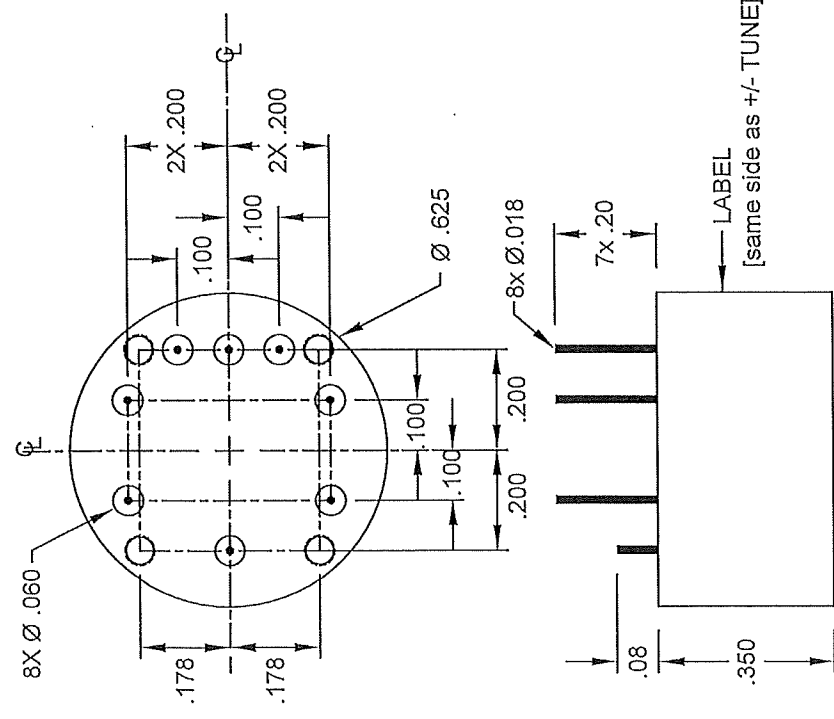
Guaranteed Specifications at 0° to +65° C Case Temperature

Model No.	MLTM-30204	MLTM-30306
Frequency Range, Min.	2-4 GHz	3-6 GHz
Power Output, Min.	+10 dBm	+10 dBm
Power Output Variation, Max.	3 dB	3 dB
Freq. Drift over Temp., Max.	+/-10 MHz	+/-10 MHz
Pulling Figure (12 dB RL), Typ.	2 MHz	2 MHz
Pushing Figure +8 Vdc, Typ.	2 MHz/V	2 MHz/V
Harmonics, Min.	-15 dBc	-15 dBc
Spurious Output, Min.	-70 dBc	-70 dBc
Phase Noise @ 10kHz Offset Typ.	-100 dBc/Hz	-100 dBc/Hz
@ 100kHz Offset Min.	-125 dBc/Hz	-125 dBc/Hz
@ 100kHz Offset Typ.	-128 dBc/Hz	-128 dBc/Hz
Main Coil		
Sensitivity, Typ.	13 MHz/mA	13 MHz/mA
Linearity, Typ.	+/-1 MHz	+/-2 MHz
Hysteresis, Typ.	2 MHz	3 MHz
Impedance @ 1 kHz, Typ.	9 Ohm/10 mH	9 Ohm/10 mH
FM Coil		
Sensitivity, Typ.	300 kHz/ma	300 kHz/ma
3 dB Bandwidth, Typ.	2 MHz	2 MHz
Deviation @ 400 kHz, Min.	+/- 50 MHz	+/- 50 MHz
Impedance @ 1 MHz, Typ.	.7 Ohm/1 uH	.7 Ohm/1 uH
DC Power, Max. +8.0 Vdc +/- 0.5 V	60 mA	60 mA
-5.0 Vdc +/- 0.25 V	15 mA	15 mA
Case Style	99-0091-022	99-0091-022



PIN OUT

WEIGHT: .41 Oz (12g)



2x #0-80 UNC-2B
X .070 DP.

REV	DESCRIPTION	DATE	APPROVED
UNLESS OTHERWISE SPECIFIED DIMENSIONS ARE IN INCHES TOLERANCE ARE: FRACTIONS DECIMALS ANGLES * .XX ±.010 * .XXX ±.005			
CONTRACT NO.		APPROVALS	DATE
		DRAWN N. NGUYEN	12/15/22
MATERIAL		CHECKED <i>[Signature]</i>	12/15/22
FINISH		ISSUED	
DO NOT SCALE DRAWING		SCALE	SHEET
		0RN63	99-0091-022
		DWG. NO.	REV.
			E
MICRO LAMBDA WIRELESS, INC.			
PC MOUNT OSCILLATOR			
(Ø .625" X .350" HIGH W/ 4 MTC. SCREWS)			